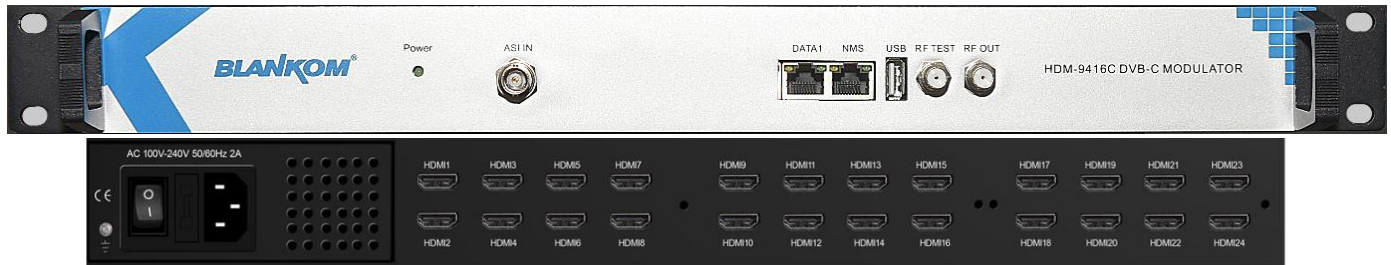


Encoder-Modulator



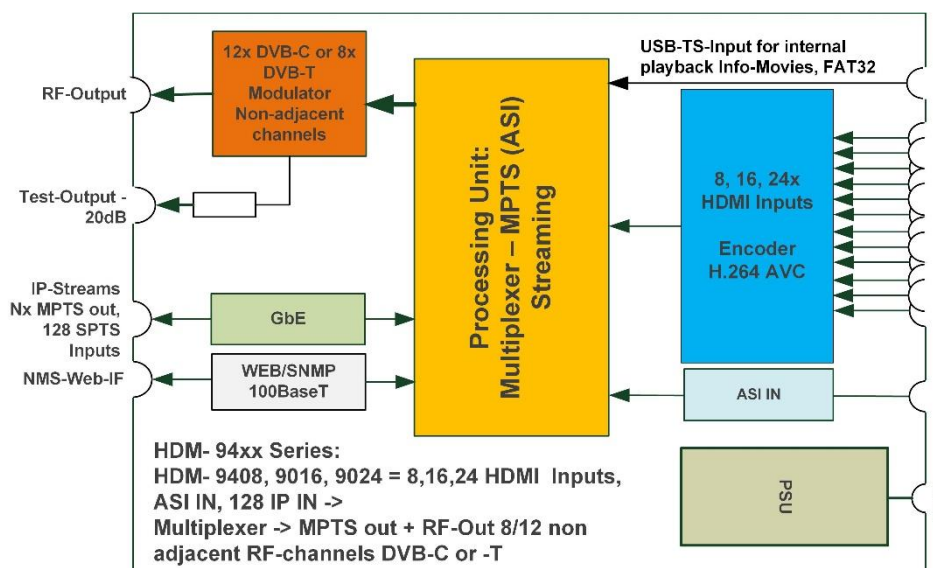
Pictures are preliminary and subject to change

- HDM-94xyC/T = 8,16,24 x HDMI with DVB-C out
(Consider for orders: T = DVB-T output, I=ISDB-Tb and A=ATSC optional upon request)
 - MPEG4 AVC/H.264 HD/SD encoding
 - 8, 16 or 24 HDMI inputs with AVC/H.264 Encoding
 - Each output channel processes max 32 IP from DATA1 input port (UDP&RTP protocol)
 - MPEG-1 Layer 2, LC-AAC, HE-AAC and AC3 Pass through
 - 8(T) or 12(C) Channels /Bouquets multiplexing DVB-C or -T modulating RF outputs – non adjacent = agile
 - -20dB Test-Output port
 - 1 ASI IN and 128 SPTS Inputs to select and mux into the output channels
 - Nx MPTS IP output over UDP, RTP/RTSP
 - PID remapping/ accurate PCR adjusting/PSI/SI editing and inserting
 - USB FAT32 – TS player to mux an INFO channel
 - DVB-C/DVB-T/ATSC-T/ISDB-T RF out selectable (from factory) -> So always use proper character when ordering: C/T/I/A
 - Web based management, LOGO / Text insertion

6th Generation BLANKOM® IPTV Headend Technology

Broadcast grade, high performance MPEG4 HD Encoder Modulator (8...24 HDMI to RF output). The HDM-94XY C/T series products are BLANKOM's new breakthrough all-in-one device, which integrate encoding (SD/HD MPEG-4/AVC H.264) and modulating to convert HDMI signals into DVB-C/DVB-T/ATSC-T/ISDB-Tb RF output. The HDM-94XYC/T HD encoder modulator is a professional high integration device which includes encoding, multiplexing and modulating. It supports 8...24 HDMI inputs, ASI and maximum 128 IP input through the GBE port. It modulates DVB-C RF out with 8 (T) or 12(C) non-adjacent carriers. The modulator type can be chosen from factory by ordering C or T version (or even A = ATSC or I = ISDB-T)

www.blankom.de



TECHNICAL SPECIFICATIONS

Input	8/16/24 HDMI inputs for option 1 ASI in for re-mux 1 USB Player input for re-mux 128 IP input over UDP and RTP, GE port, RJ45—DVB-C RF out 128 IP input over UDP and RTP, GE port, RJ45—DVB-T/ATSC RF out 128 IP input over UDP and RTP, GE port, RJ45—ISDB-T(b) RF out			
Video	Resolution	Input	1920×1080p60, 1920×1080i60, 1920×1080p50, 1920×1080i50, 1280×720p60, 1280×720p50, 720×576i50, 720×480i60,	
		Output	1920×1080p30, 1920×1080p25, 1280×720p30, 1280×720p25, 720×576p25, 720×480p30	
	Encoding	MPEG-4 AVC/H.264		
	Bit-rate	1Mbps...13Mbps every channel		
	Rate Control	CBR/VBR		
	GOP Structure	IP...P (P Frame adjustment, without B Frame)		
	Audio	Encoding	MPEG-1 Layer 2, LC-AAC, HE-AAC and AC3 Pass through	
Sampling rate		48KHz		
Resolution		24bit		
Audio Gain		0-255 Adjustable		
MPEG-1Layer2 Bit-rate		48/56/64/80/96/112/128/160/192/224/256/320/384 kbps		
LC-AAC Bit-rate		48/56/64/80/96/112/128/160/192/224/256/320/384 kbps		
HE-AAC Bit-rate		48/56/64/80/96/112/128 kbps		
Multiplexing	Maximum PID Remapping	255 input per channel		
	Function	PID remapping (automatically or manually)		
		Automatic PCR adjusting		
Modulation	DVB-C	QAM Channel	12 non-adjacent carriers output (maximum bandwidth 192MHz)	
		Standard	EN300 429/ITU-T J.83A/B	
		MER	≥40dB	
		RF frequency	50...960MHz, 1KHz step	
		RF output level	-20...+3dBm, 0.1dB step	
		Symbol Rate	5.0MSps...7.0MSps, 1kSps stepping	
			J.83A	J.83B
		Constellation	16/32/64/128/256 QAM	64/256 QAM
		Bandwidth	8 MHz	6 MHz
	DVB-T	Standard	EN300744	
		FFT mode	2K, 4K, 8K	